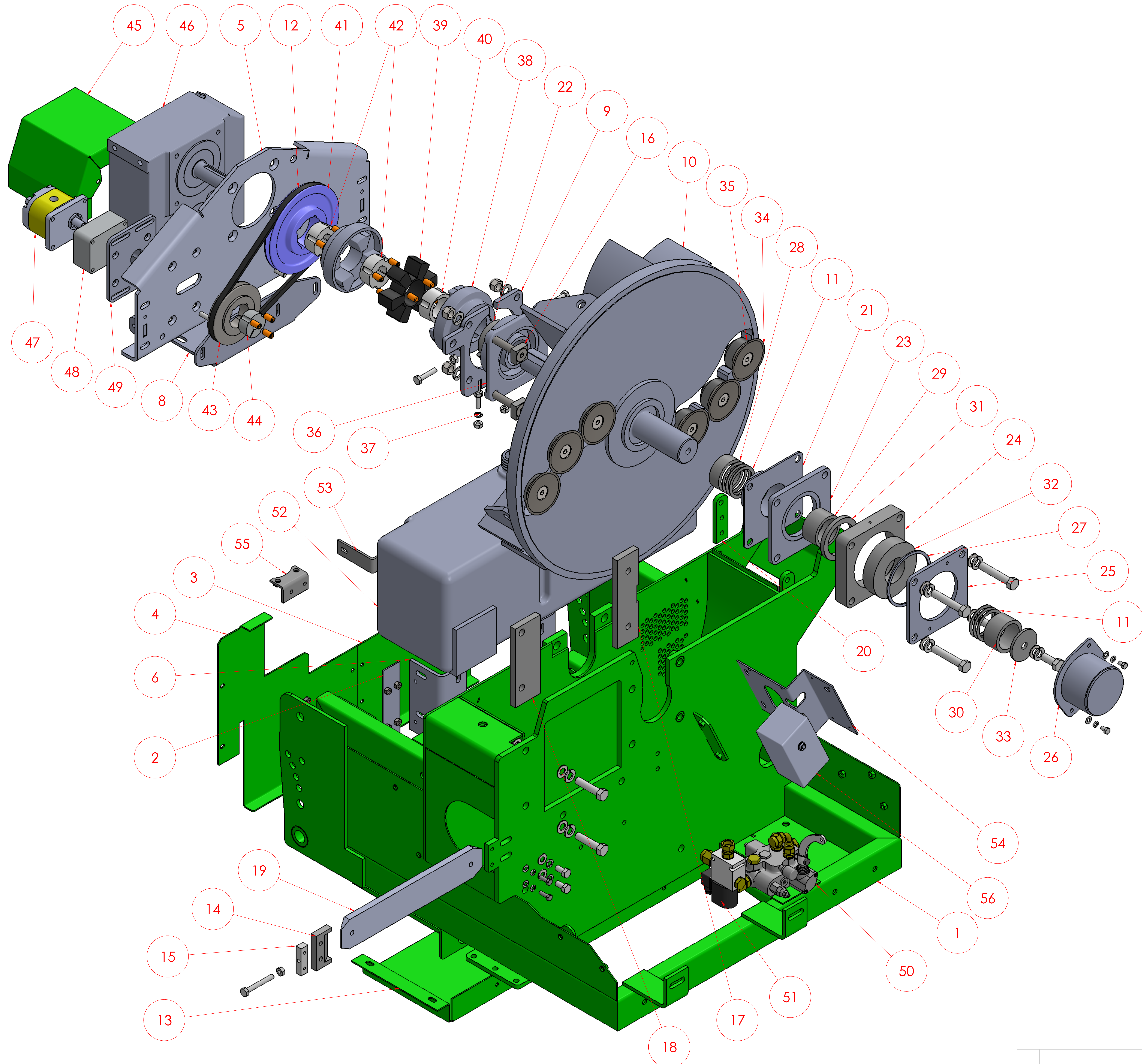


ITEM NO.	PART NUMBER	DESCRIPTION	QTY.
1	TMP220 CC PARTS LIST	220TMP CHIPPER CHAMBER	1
2	TMP220 RB PARTS LIST	220TMP ROLLERBOX	1
3	TMP220 IC PARTS LIST	220TMP INFEED CHUTE	1
4	TMP220 DC PART LIST	220TMP DISCHARGE CHUTE	1
5	TMP220-1-102	SKIDS	1
6	TMP220-1-102OH	SKIDS	1
7	TMP220-1-100	TOP LINK	1
8	TMP220-1-82	TOP COVER	1
9	C203013	Top link pin CAT 1/2	1
10	C203014	LOWER LINK PIN 1&2	2

TOLERANCES: LINEAR: 0.025mm ANGULAR: 0.25°	FINISH: SEE BOM	NAME MM	SIGNATURE	DATE 09/10/13	DEBUR AND BREAK EDGES	TOLERANCES MACHINED PARTS - +/- 0.025mm FABRICATED PARTS - +/- 1.0 mm
GreenMech LTD The Mill Industrial Park Kings Coughton Alcester Works B49 5QG Tel 01789 400044		MATERIAL: SEE BOM		TITLE: TMP220 PARTS LIST		DWG NO. TMP220 PARTS LIST SCALE: 1:20 SHEET 1 OF 1

REV	MODIFICATION	DRN	APPRD	DATE
16				
17				
18				
19				





ITEM NO.	PART NUMBER	DESCRIPTION	QTY.
1	TMP220-1-1	MAIN FRAME FAB	1
2	TMP220-1-99 M10 TMP220-1-99M7	FRONT COVER STRIP	1
3	TMP220-1-107 M10 TMP220-1-107M7	FRONT COVER LH	1
4	TMP220-1-107-1M10 TMP220-1-107-1M7	FRONT COVER RH	1
5	TMP220-1-110 M10 TMP220-1-110 M7	GEARBOX MOUNTING PLATE	1
6	TMP220-1-113	N/S FIXING ANGLE FAB	1
7	TMP220-1-113OH	O/S FIXING ANGLE FAB	1
8	TMP220-1-116M10 TMP220-1-116M7	GEARBOX ANGLE PLATE	1
9	TMP220-2-50	ADJUSTER PLATE	1
10	TMP220-2-53	TMP FLYWHEEL AND SHAFT	1
11	TMP220-2-100	SHIM 75 X 60.5X1	6
12	CS100-6-8	BELT	1
13	TMP170-1-84	TANK SEAT	1
14	CM170-2-32	Shear bar clamp	1
15	CM170-2-37	SHEARBAR LOCK	1
16	CM170-2-58	BEARING BOLT BLOCK	4
17	C220229	VERTICAL SHEAR BAR	1
18	C220230	VERTICAL SHEAR BAR 75mm	1
19	CM220-2-31	HORIZONTAL SHEARBAR	1
20	CM220-2-25-1	FLOATING PIVOT PLATE	1
21	CM220-2-43	BEARING SHIELD	1
22	CM220-2-48	LOCKING COLLAR (NO STRESS)	1
23	cm220-2-61	SEAL PLATE	1
24	CM220-2-62	BEARING HOUSING	1
25	CM220-2-63	CLAMP PLATE	1
26	CM220-2-64	END COVER FLANGE	1
27	CM220-2-65	BEARING SPACER RING	1
28	CM220-2-66	LOCATION SLEEVE 28 LONG	1
29	CM220-2-67	LOCATION SLEEVE 40 LONG	1
30	CM220-2-68	LOCATION SLEEVE 39 LONG	1
31	C220265	FLYWHEEL SEAL	1
32	C220264	ROLLER BEARING	1
33	91602-R	LARGE FLAT WASHER	1
34	C202503	Chipping disc	1
35	C220204	CUTTER POCKET	1
36	c200801	FLANGE BEARING	1
37	91004	SHAKEPROOF WASHER	4
38	C203007	COUPLING FLANGE	2
39	C203007-1	COUPLING ELEMENT	1
40	C202109	TAPERLOCK BUSH	1
41	TMP220613	DRIVE PULLEY	1
42	TMP220617	TAPERLOCK BUSH	2
43	EC1523637	V Belt Taperlock Pulley	1
44	TMP220612	TL BUSH	1
45	TMP220-1-80M10 TMP220-1-80M7	PTO GUARD	1
46	TMP220-6-4 TMP220-6-5	GEARBOX	1
47	TMP220-6-2-1	HYDRAULIC PUMP	1
48	TMP220-6-3	FRONT BEARING SUPPORT	1
49	TMP220-1-108	PUMP MTG PLATE	1
50	C251813	HYDRAULIC CONTROL VALVE	1
51	C251808	SOLENOID VALVE	1
52	CM170-1-70	HYDRAULIC TANK	1
53	TMP220-1-105	TANK STRAP	2
54	CM170-1-53	NO STRESS BRKT	1
55	TMP170-1-59	HYD FILTER BKT	1
56	C203321	NO STRESS BOX	1

**GreenMech LTD**  
 The Mill Industrial Park  
 Kings Coughton  
 Alcester  
 Works B49 5QG  
 Tel 01789 400044

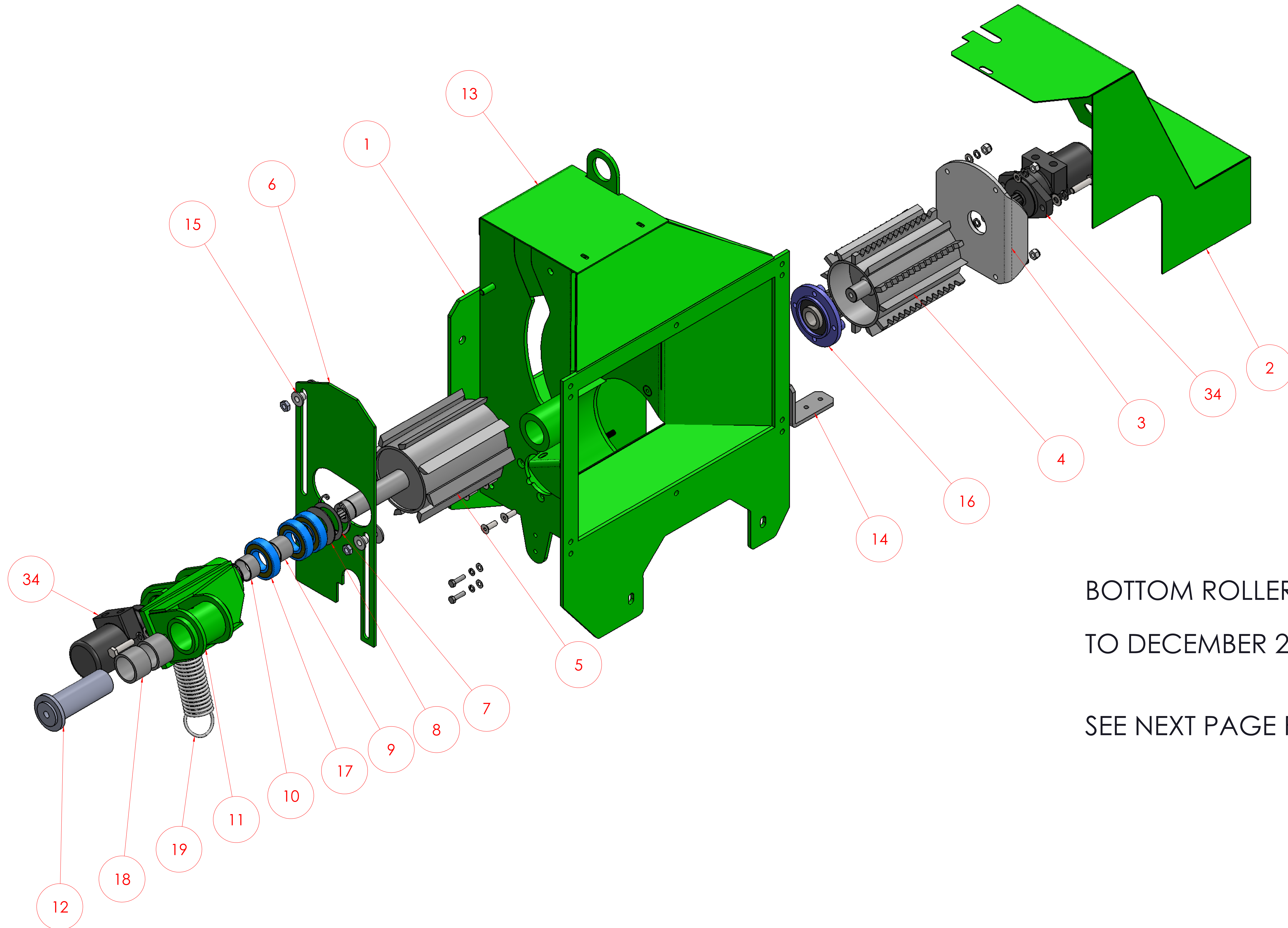
**FINISH:** SEE BOM  
**DATE:** 03/10/13  
**TOLERANCES:**  
 MACHINED PARTS - +/- 0.025mm  
 FABRICATED PARTS - +/- 1.0 mm

**MATERIAL:** SEE BOM  
**TITLE:** 220TMP CHIPPER CHAMBER PARTS LIST  
**DWG NO.:** TMP220 CC PARTS LIST  
**SCALE:** 1:10

REV	MODIFICATION	DRN	APPRD	DATE



ITEM NO.	PART NUMBER	DESCRIPTION	QTY.
1	CM220-3-1	R/BOX FAB	1
2	TMP220-1-68	BATTERY COVER FAB	1
3	CM220-3-11	MOTOR MTG PLATE FAB	1
4	CM220-3-20	BOTTOM ROLLER FAB	1
5	CM220-3-24	TOP ROLLER FAB	1
6	CM170-3-36	PIVOT ARM GUARD	1
7	CM170-3-42-4	BEARING SHIM	1
8	CM170-3-42-3	BEARING SHIELD	1
9	CM170-3-42-1	LG TOP ROLLER SPACER	1
10	CM170-3-42-2	SHORT TOP ROLLER SPACER	1
11	CM170-3-28	PIVOT ARM FAB	1
12	CM170-3-38	PIVOT PIN	1
13	CM220-3-15	TOP COVER	1
14	CM170-3-37	RETURN FILTER BKT	1
15	CM170-3-45	GUARD SPACER	2
16	C180109	BOTTOM ROLLER BEARING	1
17	C252119	ROLLER BEARING	3
18	CM170-3-53	OILITE BUSH	2
19	C180119	PIVOT ARM SPRING	1
34	81960	C/S HD BOLT	2

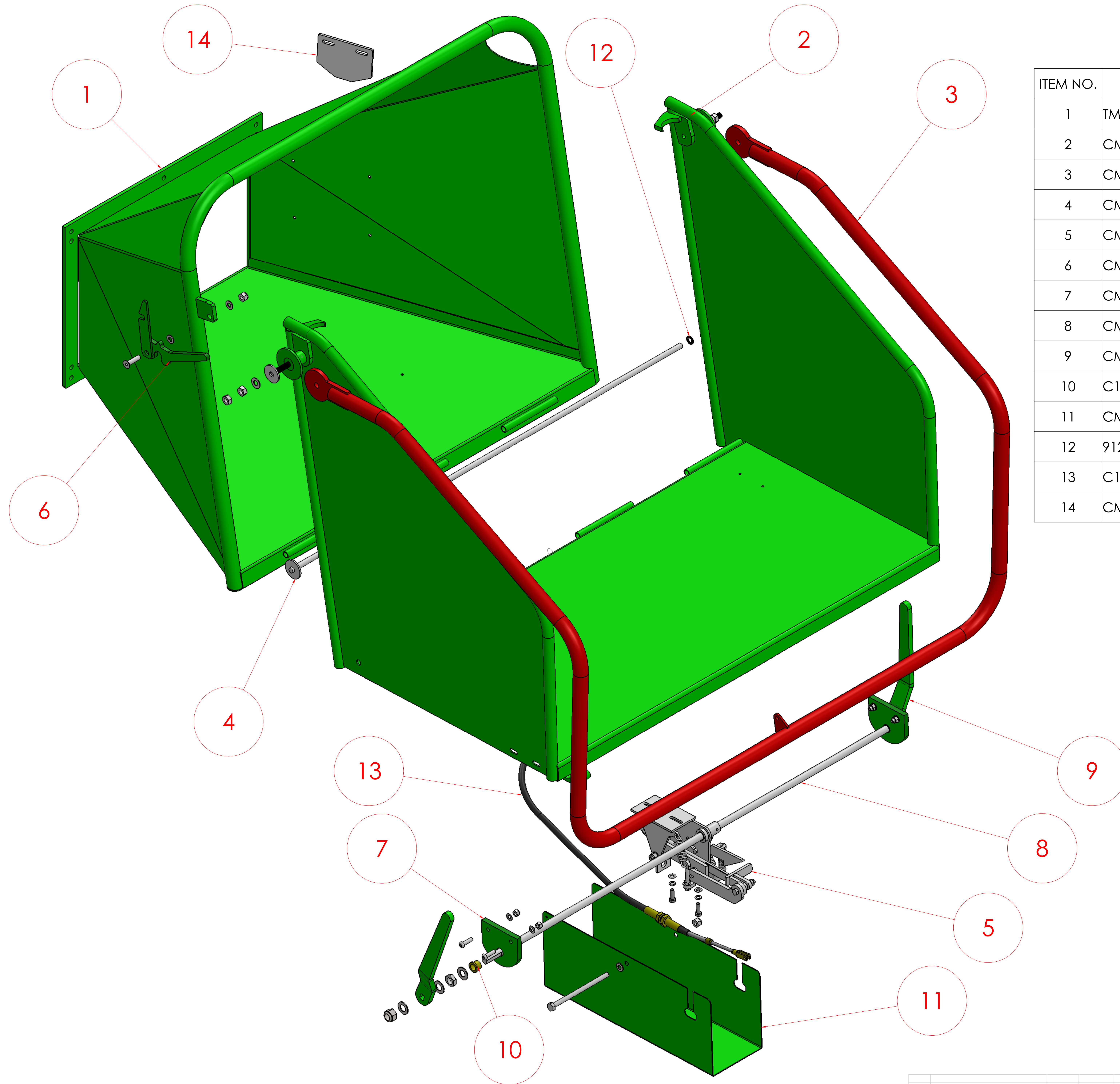


BOTTOM ROLLER SETUP  
TO DECEMBER 2013

SEE NEXT PAGE FOR 2014 ONWARDS

TOLERANCES: LINEAR: 0.025mm ANGULAR: 0.25°	FINISH: SEE BOM	NAME DRAWN: MMB CHK'D: APP'D: BGG	SIGNATURE	DATE 07/10/13	DEBUR AND BREAK EDGES	TOLERANCES MACHINED PARTS - +/- 0.025mm FABRICATED PARTS - +/- 1.0mm
GreenMech LTD The Mill Industrial Park Kings Coughton Alcester Works B49 5QG Tel 01789 400044			MATERIAL: SEE BOM		TITLE: 220TMP ROLLERBOX PARTS LIST	
REV			MODIFICATION	DRN	APPRD	DATE
DWG NO. TMP220 RB PARTS LIST			WEIGHT:		DWG NO. TMP220 RB PARTS LIST	



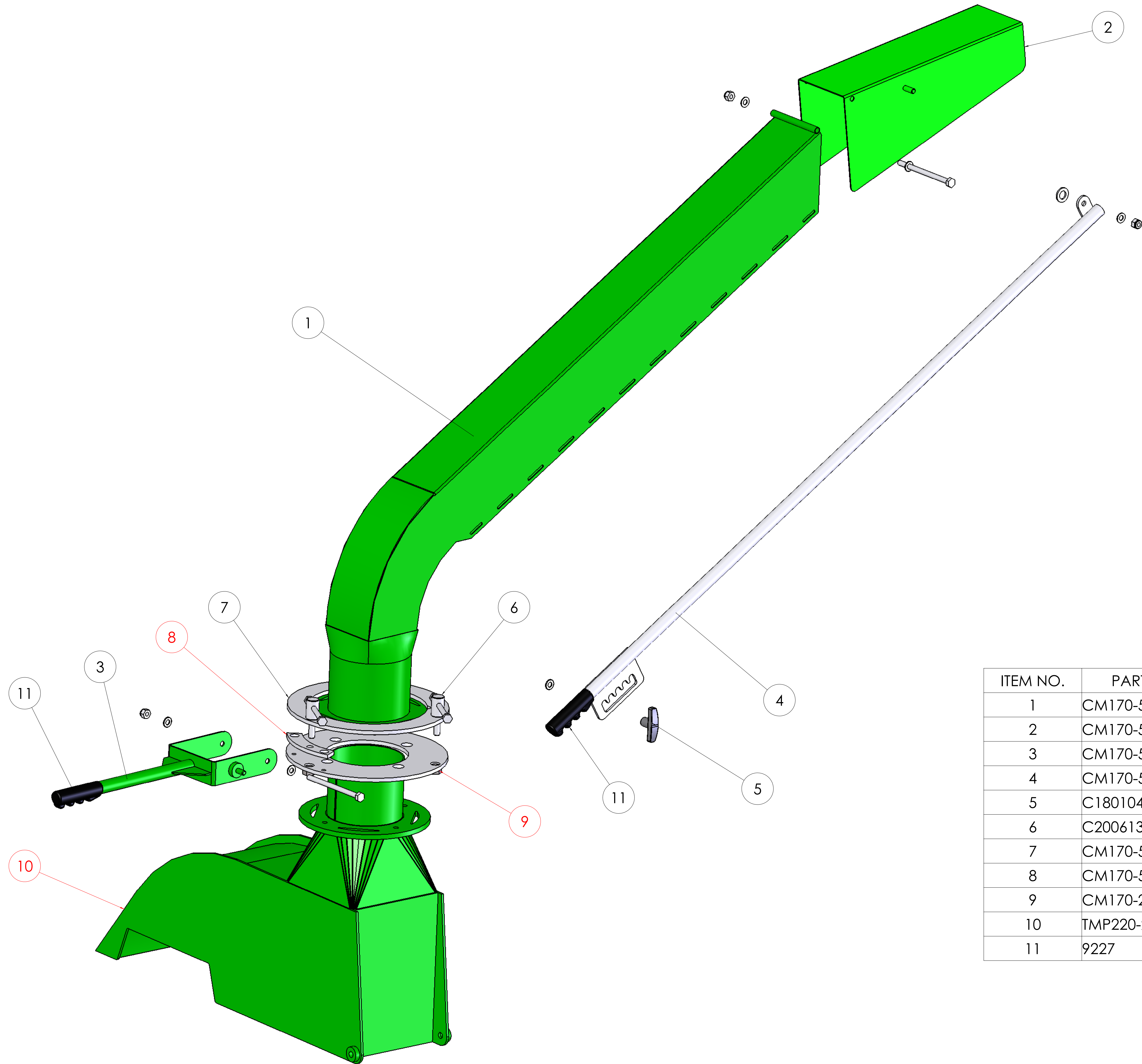


ITEM NO.	PART NUMBER	DESCRIPTION	QTY.
1	TMP220-4-1	INFEED CHUTE FAB	1
2	CM220-4-71	INFEED FLAP FAB	1
3	CM220-4-20	SAFETY BAR FAB	1
4	CM170-4-14A	HINGE PIN	1
5	CM170-4-171A	PIVOT BRKT ASSY	1
6	CM170-4-19A	FLAP LOCK	1
7	CM170-4-79	SIDE PLATE	2
8	CM170-4-77	OPERATING ROD	1
9	CM170-4-78	OPERATING LEVER	2
10	C170410	OILITE PLANGED BUSH	2
11	CM170-4-56	DETENT GUARD	1
12	912SL	STARLOCK WASHER	1
13	C170107	OPERATING CABLE	1
14	CM170-4-48A	CABLE BRKT FAB	1

TOLERANCES: LINEAR: 0.025mm ANGULAR: 0.25°	FINISH: SEE BOM	NAME MM	SIGNATURE	DATE 09/10/13	DEBUR AND BREAK EDGES	TOLERANCES MACHINED PARTS - +/- 0.025mm FABRICATED PARTS - +/- 1.0 mm
GreenMech LTD The Mill Industrial Park Kings Coughton Alcester Works B49 5QG		MATERIAL: SEE BOM		TITLE: 220TMP INFEED CHUTE PARTS LIST		DWG NO: TMP220 IC PARTS LIST
Tel 01789 400044		WEIGHT:		SCALE: 1:20		A0 SHEET 1 OF 1

REV	MODIFICATION	DRN	APPRD	DATE

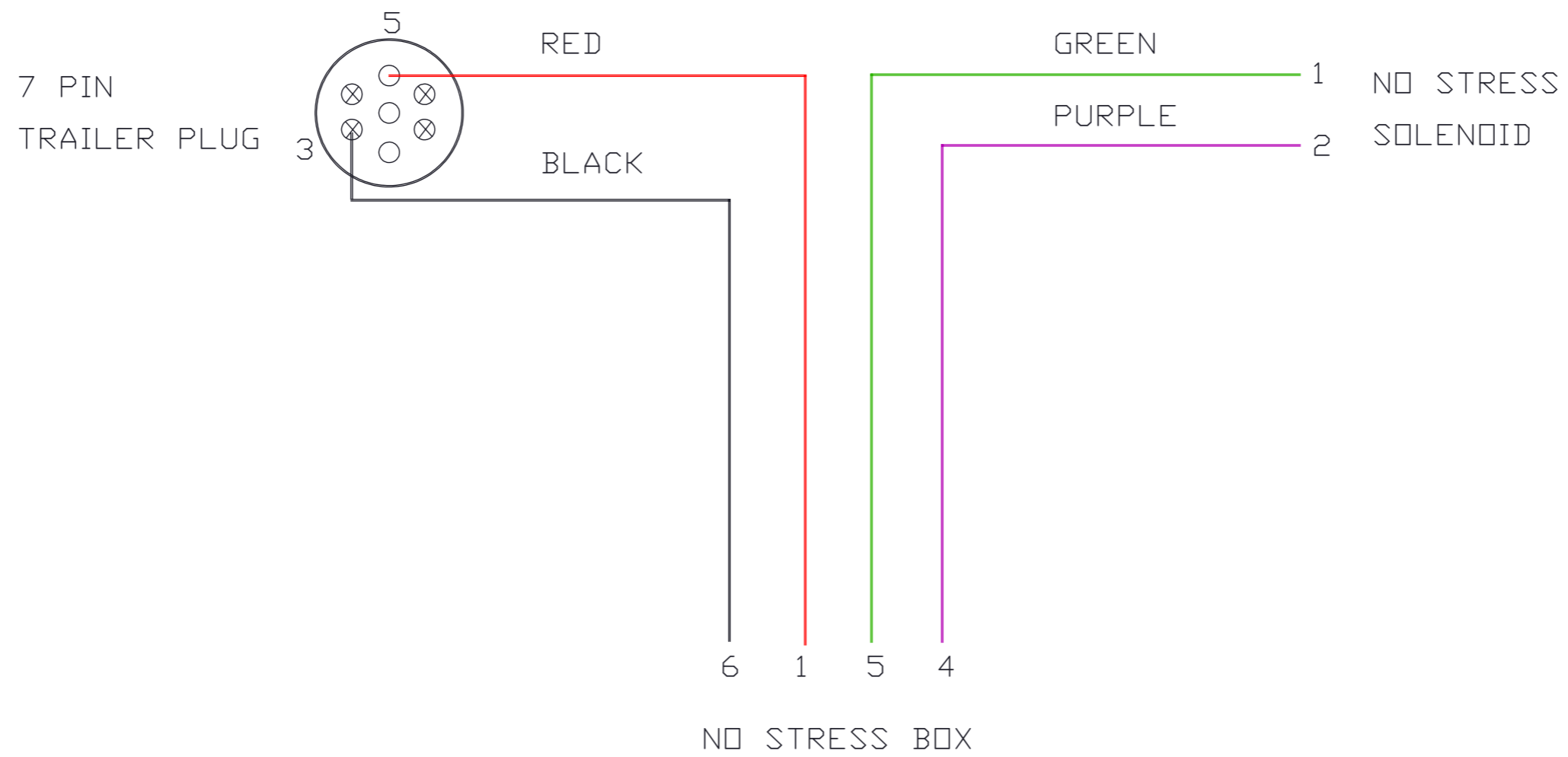




ITEM NO.	PART NUMBER	DESCRIPTION	QTY.
1	CM170-5-1A	DISCHARGE CHUTE	1
2	CM170-5-2A	DISCHARGE FLAP	1
3	CM170-5-3A	DIRECTIONAL HANDLE	1
4	CM170-5-4A	FLAP ADJUSTER ROD	1
5	C180104	TEE HANDLE	1
6	C200613	CLAMP BOLTS	3
7	CM170-5-11	CLAMP RING	1
8	CM170-5-14	QUADRANT	1
9	CM170-2-5	LOCATION RING	1
10	TMP220-2-2	CHIPPER CHAMBER UPPER FAB	1
11	9227	1" HANDLE GRIP	2

TOLERANCES: LINEAR: 0.025mm ANGULAR: 0.25°	FINISH: SEE BOM	NAME DRAWN: MM CHKD: APPVD: BGG	SIGNATURE	DATE 09/10/13	DEBUR AND BREAK EDGES	TOLERANCES MACHINED PARTS - +/- 0.025mm FABRICATED PARTS - +/- 1.0 mm
<b>GreenMech LTD</b> The Mill Industrial Park Kings Coughton Alcester Works B49 5QG Tel 01789 400044			MATERIAL: SEE BOM		TITLE: 220TMP DISCHARGE CHUTE PART LIST	
REV    MODIFICATION    DRN    APPRD    DATE			WEIGHT:		DWG NO: TMP220 DC PART LIST	
						SCALE: 1:10 SHEET 1 OF 1

TMP 220 FROM AUGUST 2001



TMP220 ELECTRICAL